

# Product Specification



## Patch Antenna JLTD1575-1602S18N4A

### Feature

High gain , Compact

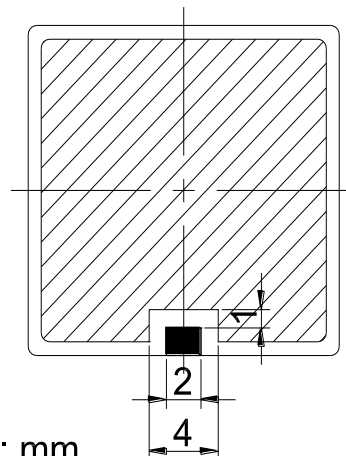
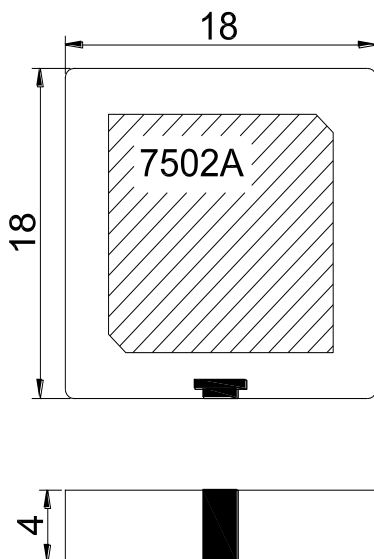
Pin type

Customization available

### Electrical Specification

Center Frequency	1575.42 MHz	1602 MHz
Return Loss @ F0	$\geq 10\text{dB}$	
Bandwidth @ 10dB Return loss	-	
Polarization	RHCP	
Gain @ Zenith	-	
Ground plane	50x50 mm	
Impedance	50 $\Omega$	
Frequency Temperature Coefficient	$\pm 20$ ppm/ $^{\circ}\text{C}$	
Operation Temperature Range	-40 ~ +85 $^{\circ}\text{C}$	

### Mechanical Drawing



Unit: mm  
Tolerance:  $\pm 0.2$

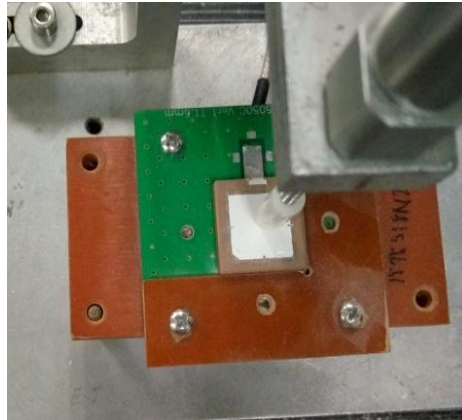
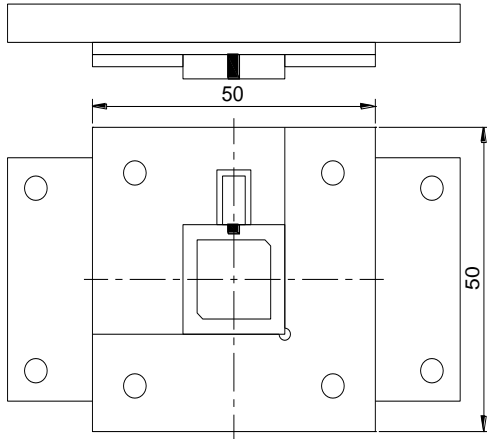
# Product Specification



## Patch Antenna

JLTD1575-1602S18N4A

### Test Fixture



### Characteristics

