

Product Specification



Patch Antenna JLT920S36P6A

Feature

High gain , Compact

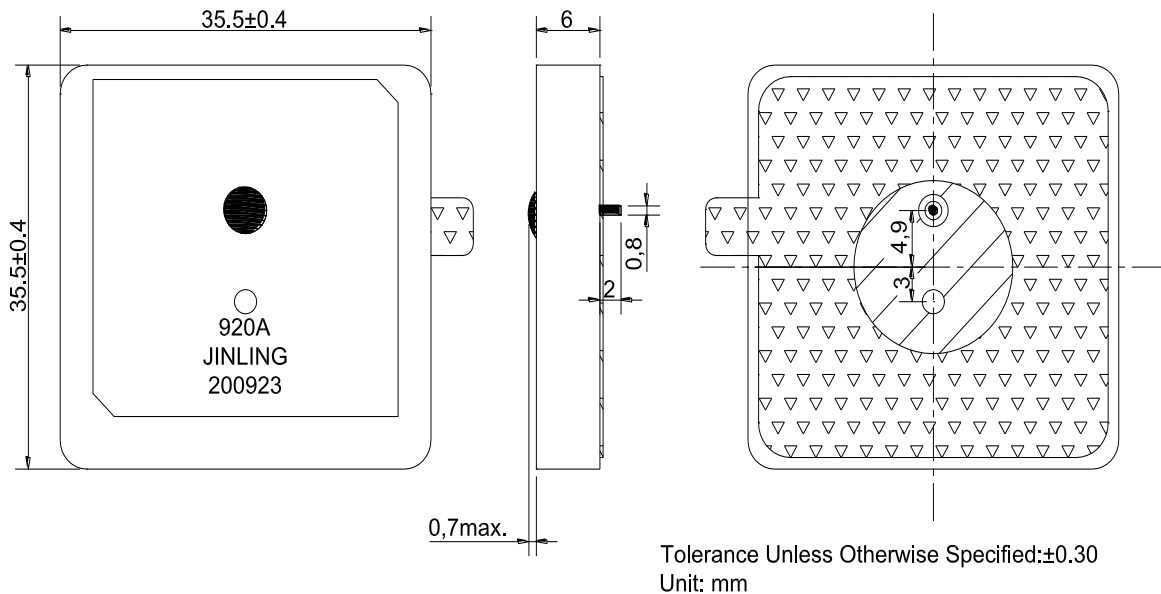
Pin type

Customization available

Electrical Specification

Center Frequency	920± 3.0 MHz
Return Loss @ F0	≥ 15dB
Polarization	RHCP
Gain @ Zenith	-
Ground plane	36x36 mm
Impedance	50 Ω
Operation Temperature Range	-40 ~ +85℃

Mechanical Drawing



Product Specification

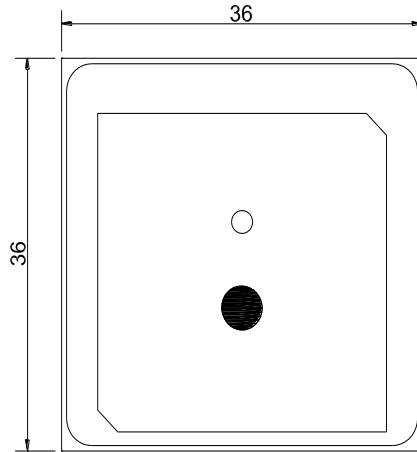


Patch Antenna



JLT920S36P6A

Test Fixture



Characteristics

