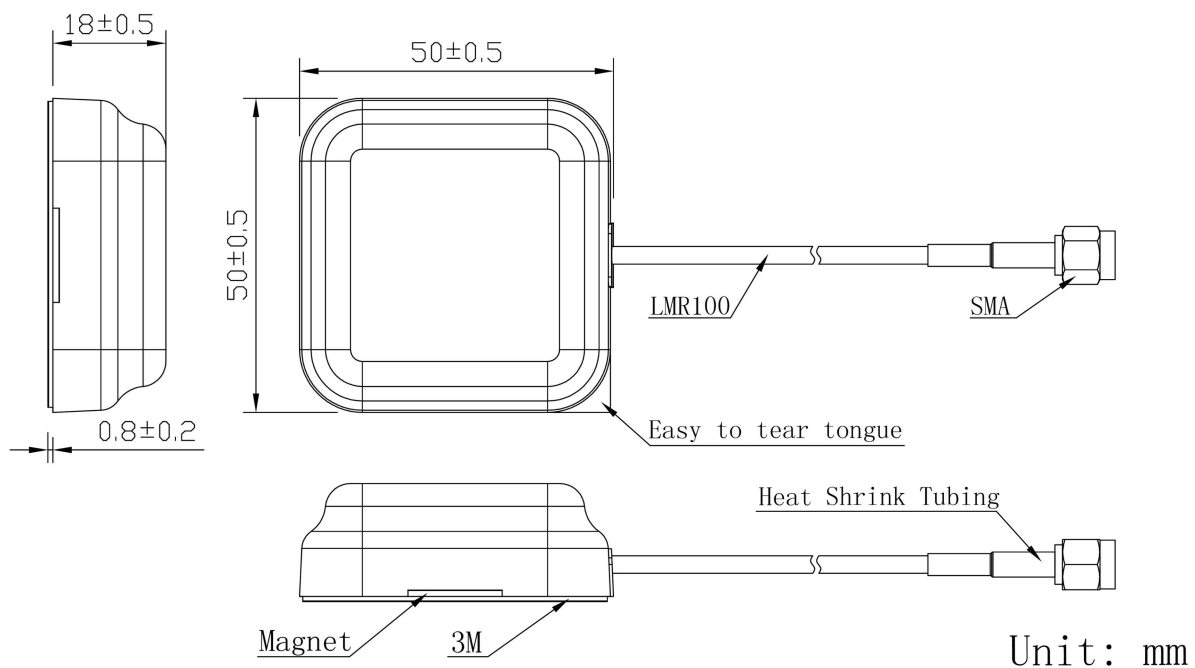


DSRC&V2X Antenna JCW236V



DIMENSIONS



JIAXING JINCHANG ELECTRONIC TECHNOLOGY CO.,LTD

Add: 398#, Zhenye Road, South Street, Jiaxing, Zhejiang, China

Http://www.jinchanggps.com

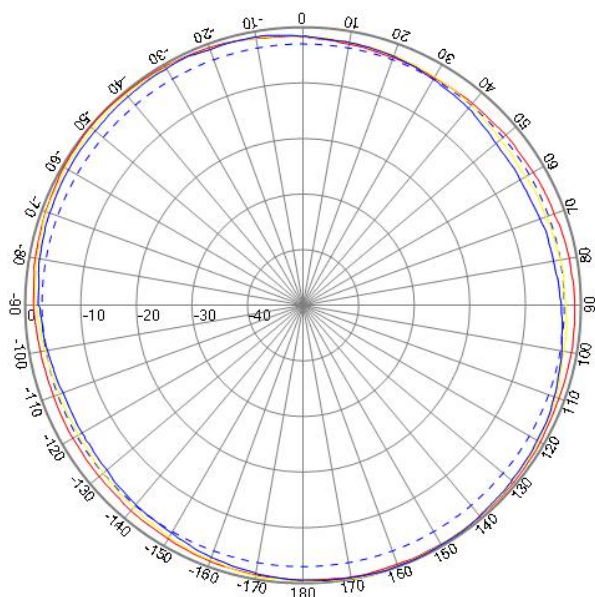
E-mail: jcgps@vip.163.com

Tel: 86-0573-83692157/83692605/83958637 Fax: 86-0573-83958635

SPECIFICATIONS

Item	Specifications	
Antenna	Frequency Range	5850~5950MHz
	V.S.W.R	≤2.0
	Polarization	Linear
	Gain	3dBi (Typ.)
	Impedance	50Ω
Mechanical	Cable	LMR100 /3m
	Connector	SMA straight male
	Radome Material	ABS
	Mounting Method	Adhesive
Environmental	Operating Temperature	-40℃~+85℃
	Relative Humidity	Up to 95%
	Ingress Protection	IP66
	Vibration	10 to 55Hz with 1.5mm amplitude 2hours
	Environmentally Friendly	ROHS Compliant

Radiation Pattern



XY PLANE

Freq: 5850
Freq: 5900
Freq: 5925



JIAXING JINCHANG ELECTRONIC TECHNOLOGY CO.,LTD

Add: 398#,Zhenye Road, South Street, Jiaxing, Zhejiang, China

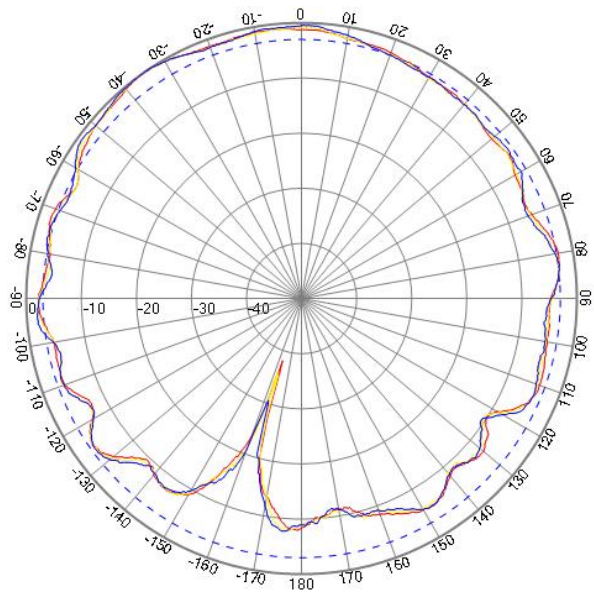
Http://www.jinchanggps.com

E-mail:jcgps@vip.163.com

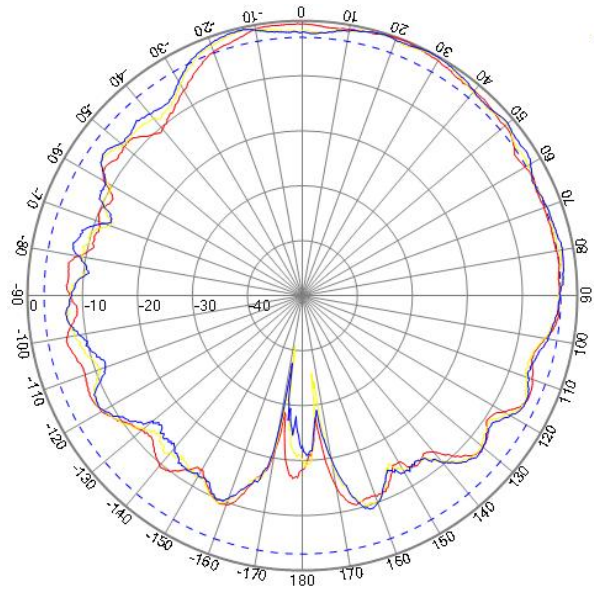
Tel: 86-0573-83692157/83692605/83958637 Fax:86-0573-83958635



Jinchang Electron Global Service



- Freq: 5850
- Freq: 5900
- Freq: 5925



- Freq: 5850
- Freq: 5900
- Freq: 5925