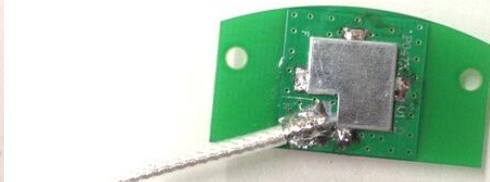
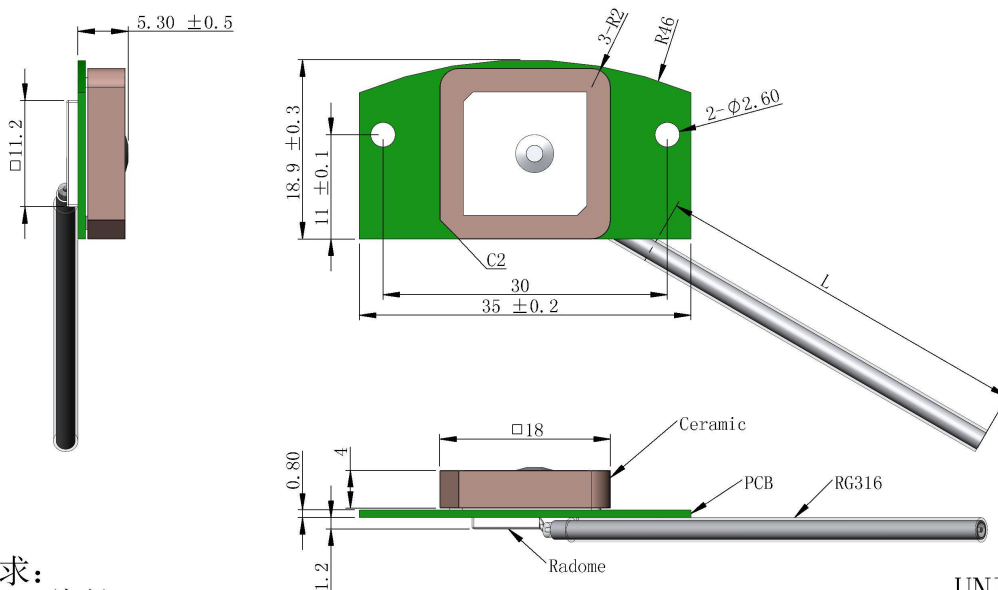


# GPS Internal Active Antenna JCN514



## DIMENSIONS



技术要求:  
1、L=线长。

UNIT: mm

**SPECIFICATIONS**

Item	Specifications	
Antenna	Center Frequency	1575.42 ± 1MHz
	Band Width	CF ± 4MHz
	Polarization	RHCP
	Gain	3dBic (Zenith)
	V.S.W.R	< 1.5
	Impedance	50 Ω
	Axial Ratio	5dB (max)
	Dimension	18*18*4mm
LNA	Gain	24 ± 2dB
	Noise Figure	≤ 1.5dB
	Ex-band Attenuation	30dB@CF ± 50MHz
	Supply Voltage	3.3V DC
	Current Consumption	10mA
	V.S.W.R	< 2.0
Mechanical	Cable	RG316/L=80mm
	Connector	SMA female
Environmental	Operating Temperature	-40°C ~ +85°C
	Relative Humidity	Up to 75%
	Vibration	10 to 55Hz with 1.5mm amplitude 2hours
	Environmentally Friendly	ROHS Compliant

**Radiation Pattern**

