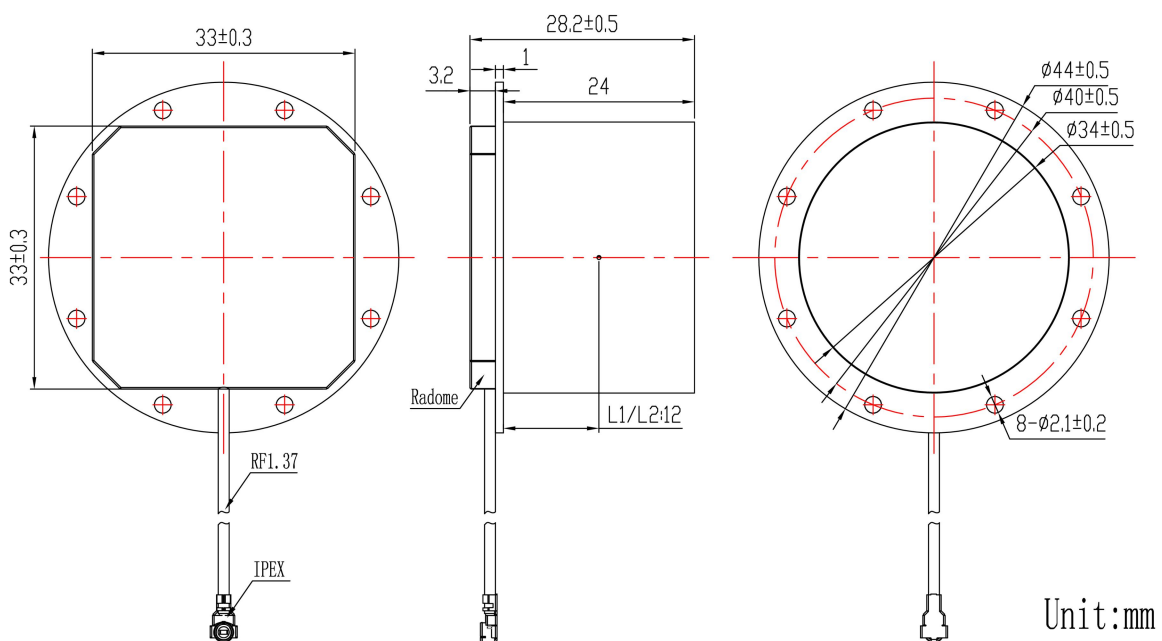


High Accuracy GNSS Helix Antenna JCN283



DIMENSIONS



JIAXING JINCHANG ELECTRONIC TECHNOLOGY CO.,LTD

Add: 398#,Zhenye Road, South Street, Jiaxing, Zhejiang, China

Http:// www.jinchanggps.com

E-mail:jcgps@vip.163.com

Tel: 86-0573-83692157/83692605/83958637 Fax:86-0573-83958635

SPECIFICATIONS

Item		Specifications
Antenna	Frequency	GPS L1/L2/L5 GLONASS G1/G2/G3 COMPASS B1/B2/B3 Galileo E1/L1/E2/E5a/E5b L-Band
	Polarization	RHCP
	Axial Ratio	≤3dB
	V.S.W.R	≤2.0
	Peak Gain	≥2.5dBic
	Impedance	50 Ω
	Horizontal coverage angle	360°
LNA	Gain	33 ± 2dB
	Noise Figure	≤1.5dB
	Passband fluctuation	±2.0dB
	Supply Voltage	3~5V DC
	Current Consumption	≤50mA
	V.S.W.R	≤2.0
Mechanical	Connector	IPEX
	Cable	RF1.37/10cm
	Mounting Method	Screw & Embedded
Environmental	Operating Temperature	-40°C~+70°C
	Relative Humidity	Up to 95% non-condensing
	Vibration	10 to 55Hz with 1.5mm amplitude 2hours
	Environmentally Friendly	ROHS Compliant