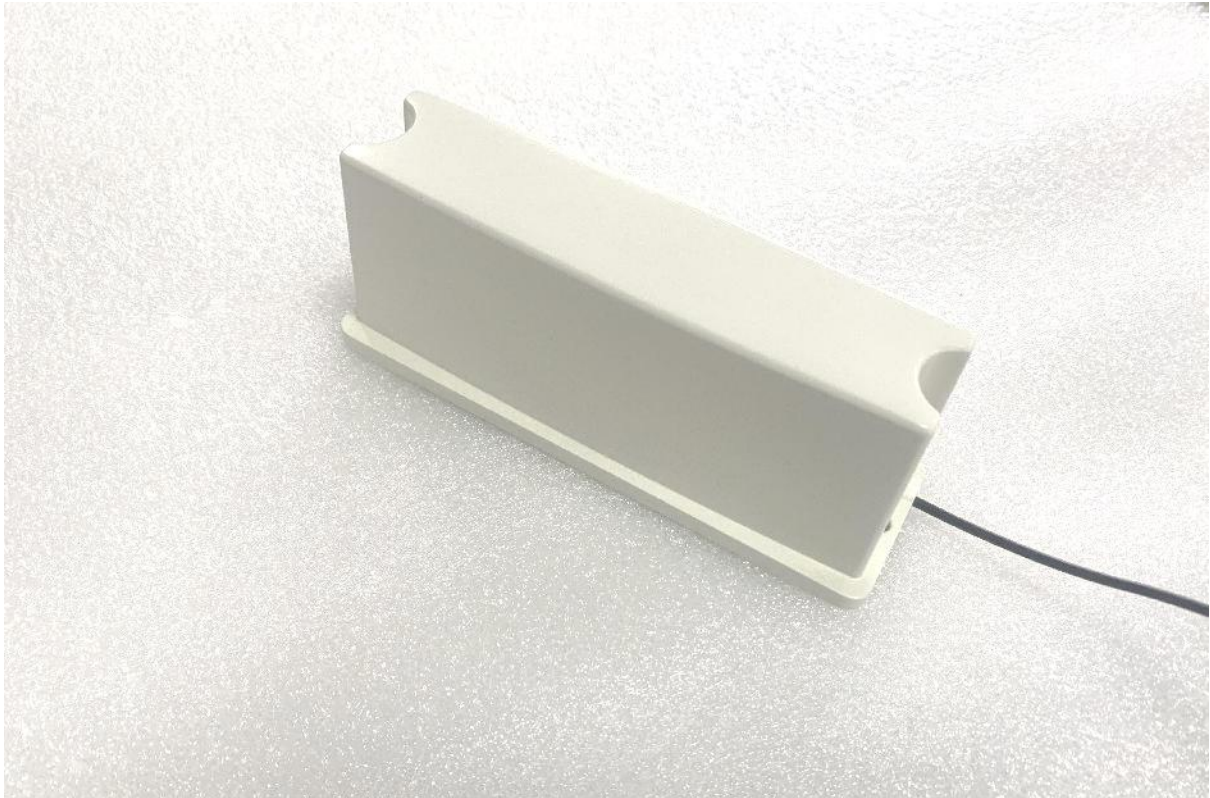
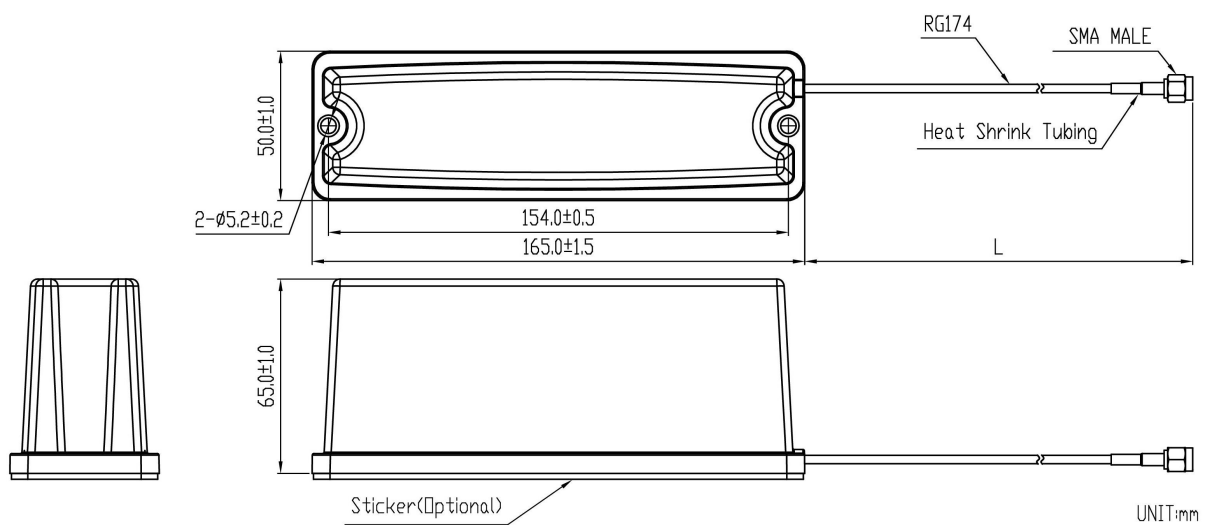


LTE Antenna

JCG158L

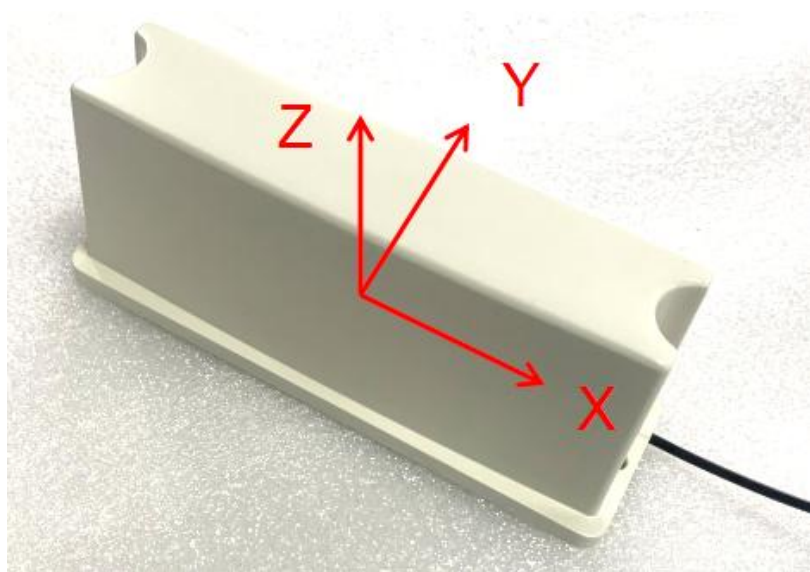


DIMENSIONS



SPECIFICATIONS

Item		Specifications
Antenna	Frequency Range	698~960/1710~2690MHz
	Polarization	Linear
	Gain	2.0dBi (Zenith)
	V.S.W.R	<3.0
	Impedance	50 Ω
Mechanical	Cable	RG174/3m
	Connector	SMA straight male
	Radome Material	ASA
	Mounting Method	Screw
Environmental	Operating Temperature	-40°C~+85°C
	Relative Humidity	Up to 95%
	Ingress Protection	IP66
	Vibration	10 to 55Hz with 1.5mm amplitude 2hours
	Environmentally Friendly	ROHS Compliant

Radiation Pattern**JIAXING JINCHANG ELECTRONIC TECHNOLOGY CO.,LTD**

Add: 398#,Zhenye Road, South Street, Jiaxing, Zhejiang, China

Http:// www.jinchanggps.comE-mail:jcgps@vip.163.com

Tel: 86-0573-83692157/83692605/83958637 Fax:86-0573-83958635



Jinchang Electron Global Service

