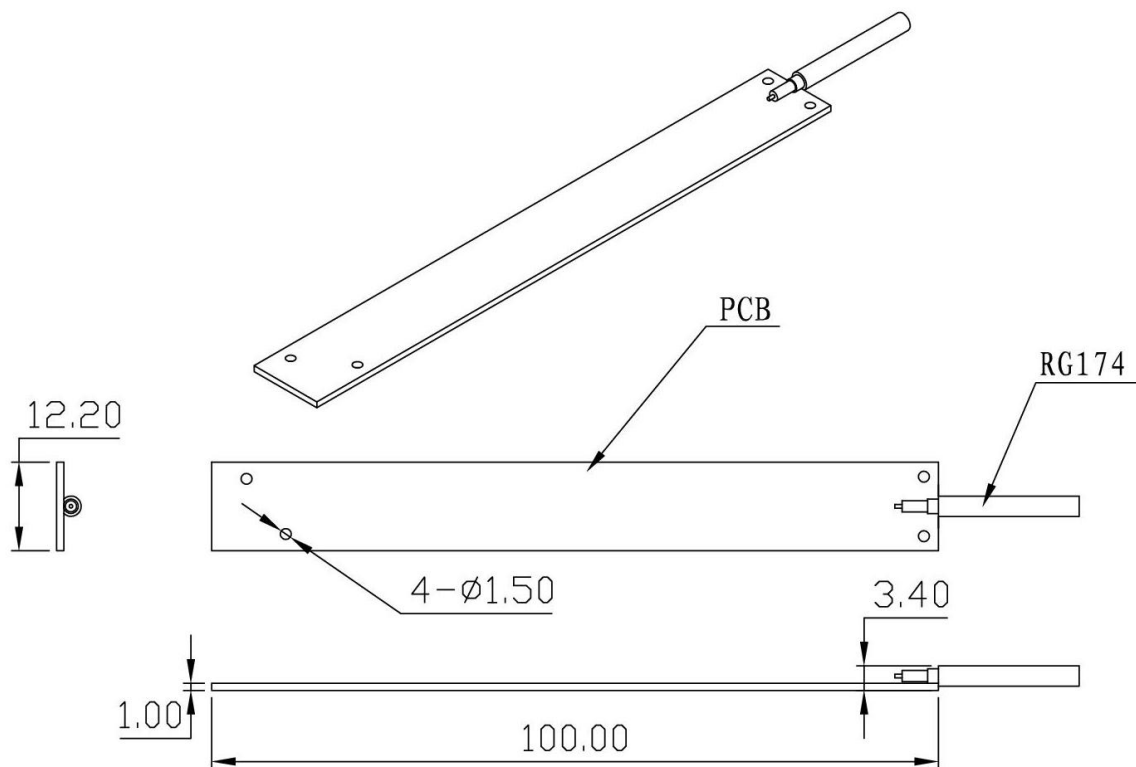


DAB&DVB&DMB Active Antenna JCD717



DIMENSIONS



Unit: mm

JIAXING JINCHANG ELECTRONIC TECHNOLOGY CO.,LTD

Add: 398#, Zhenye Road, South Street, Jiaxing, Zhejiang, China

Http:// www.jinchanggps.com

E-mail: jcgps@vip.163.com

Tel: 86-0573-83692157/83692605/83958637 Fax: 86-0573-83958635

SPECIFICATIONS

Item	Specifications	
Antenna&Amplifier	Frequency Range	174~237MHz/470-958MHz
	Wave Band	DAB BIII/UHF 13~68CH
	Polarization	Linear
	Impedance	50Ω
	PCB Dimension	100*12.5*0.8mm
	Gain	20±2dB
	V.S.W.R	<2.0
	Noise Figure	<3.0
	Supply Voltage	5~8V DC
	Current Consumption	14~28mA
Mechanical	Cable	RG174
	PCB	FR4
	Connector	MCX/SMA/FAKRA or others
	Mounting Method	Adhesive
Environmental	Operating Temperature	-40°C~+85°C
	Relative Humidity	Up to 75%
	Vibration	10 to 55Hz with 1.5mm amplitude 2hours
	Environmentally Friendly	ROHS Compliant