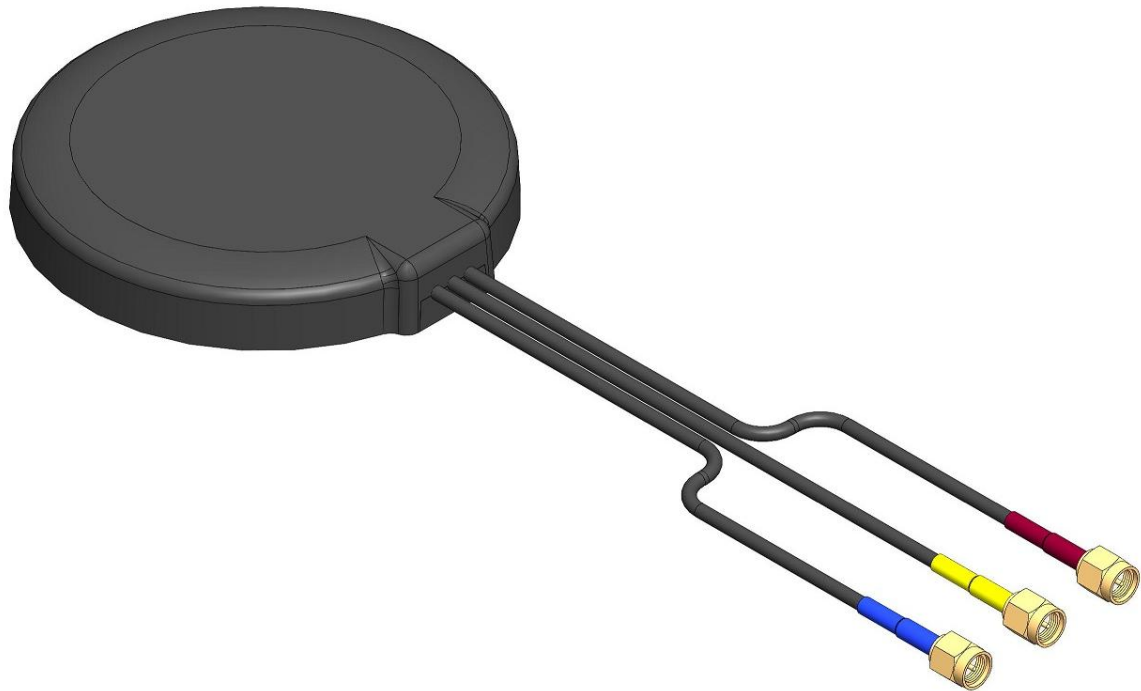
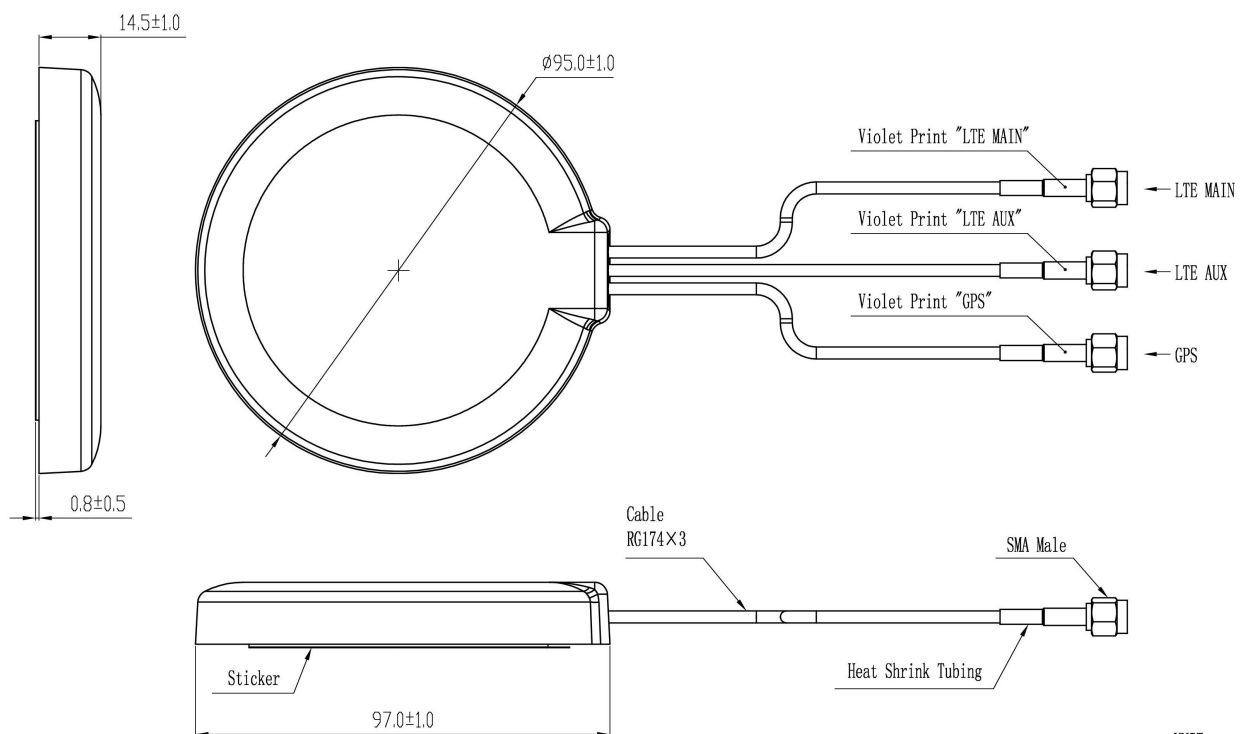


GPS+LTE MIMO Combination Antenna

JCB310LM



DIMENSIONS



UNIT:mm

JIAXING JINCHANG ELECTRONIC TECHNOLOGY CO.,LTD

Add: 398#,Zhenye Road, South Street, Jiaxing, Zhejiang, China

Http:// www.jinchanggps.com

E-mail:jcgps@vip.163.com

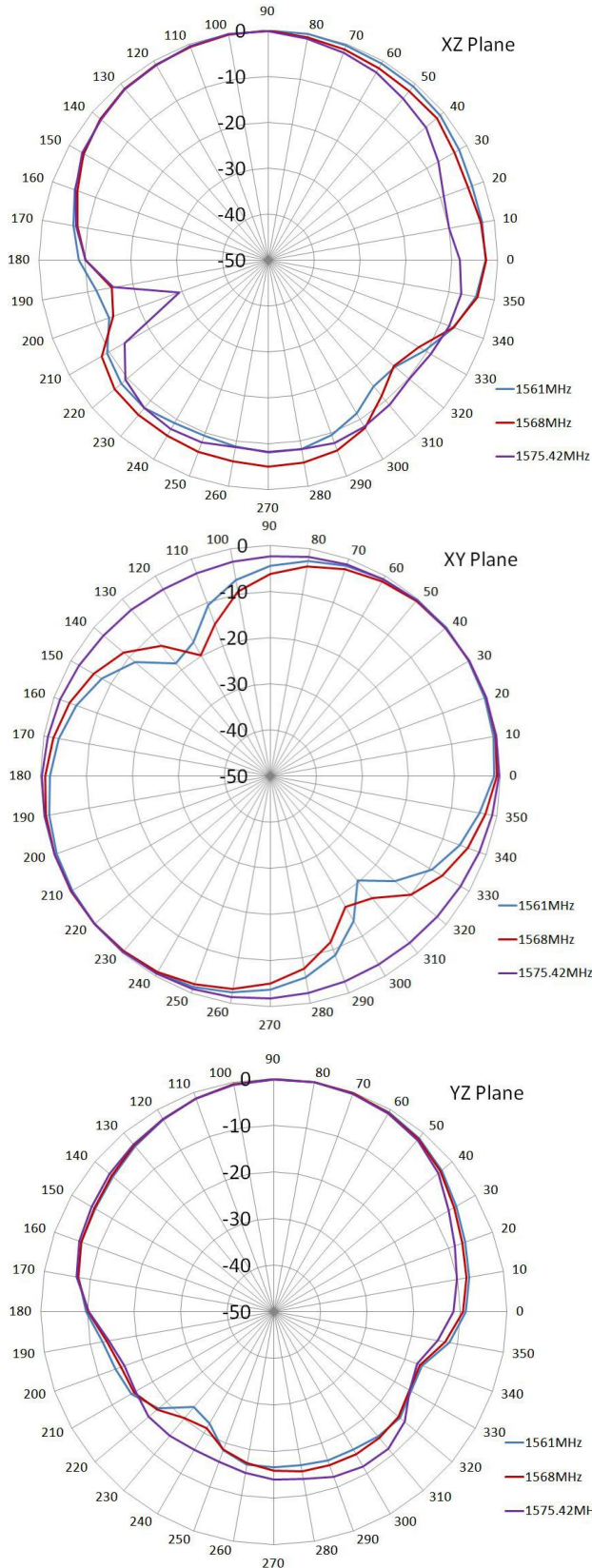
Tel: 86-0573-83692157/83692605/83958637 Fax:86-0573-83958635

SPECIFICATIONS

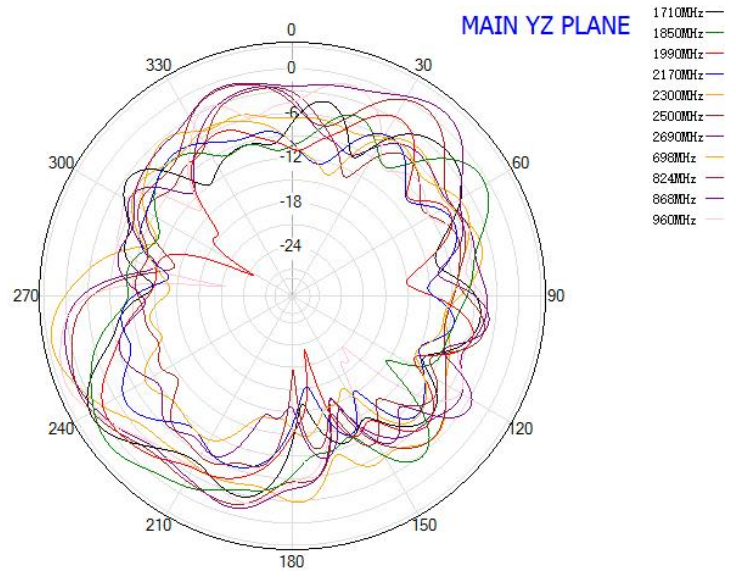
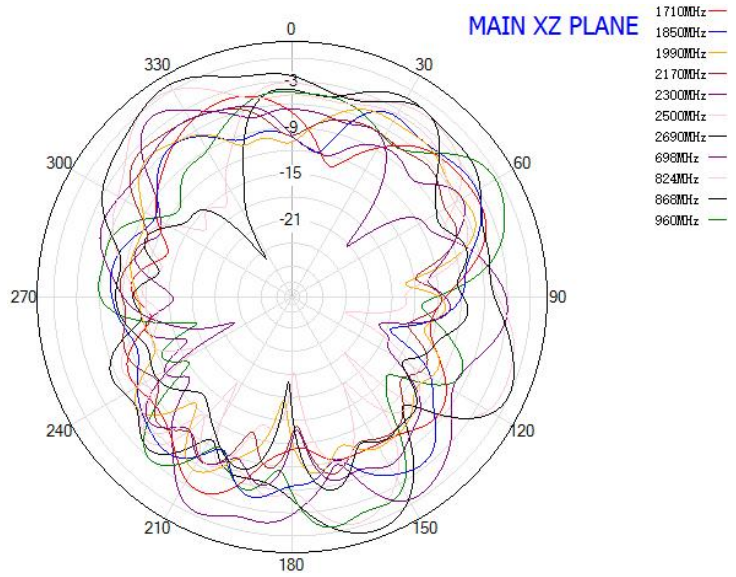
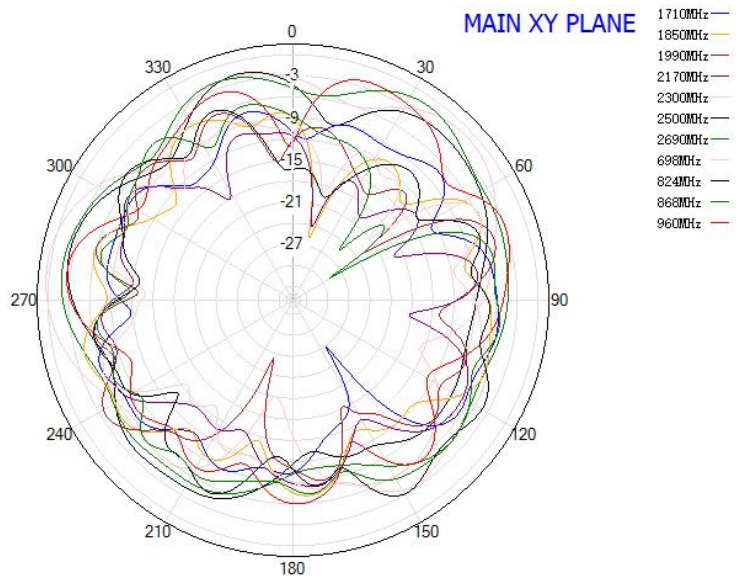
Item		Specifications	
GPS Antenna	Dielectric Antenna	Frequency Range	1561.098~1575.42MHz
		Polarization	RHCP
		Gain	2dBic (Zenith)
		V.S.W.R	<1.5
		Impedance	50Ω
	LNA	Gain	28±2dB
		Noise Figure	<1.5dB
		V.S.W.R	<2.0
		Supply Voltage	3~5V DC
		Current Consumption	≤25mA@3.3V
LTE Antenna MAIN		Frequency Range	698~960MHz/1710~2690MHz
		V.S.W.R	≤3.0
		Polarization	Linear
		Gain	2.5dBi (Zenith)
		Impedance	50Ω
LTE Antenna AUX		Frequency Range	698~960MHz/1710~2690MHz
		V.S.W.R	≤3.0
		Polarization	Linear
		Gain	2.0dBi (Zenith)
		Impedance	50Ω
Mechanical		Cable	RG1743m
		Connector	SMA straight male
		Mounting Method	Adhesive/Magnet
Environmental		Operating Temperature	-40°C~+85°C
		Relative Humidity	Up to 95%
		Ingress Protection	IP67
		Vibration	10 to 55Hz with 1.5mm amplitude 2hours
		Environmentally Friendly	ROHS Compliant

Radiation Pattern

GPS Antenna



LTE Antenna MAIN



LTE Antenna AUX

