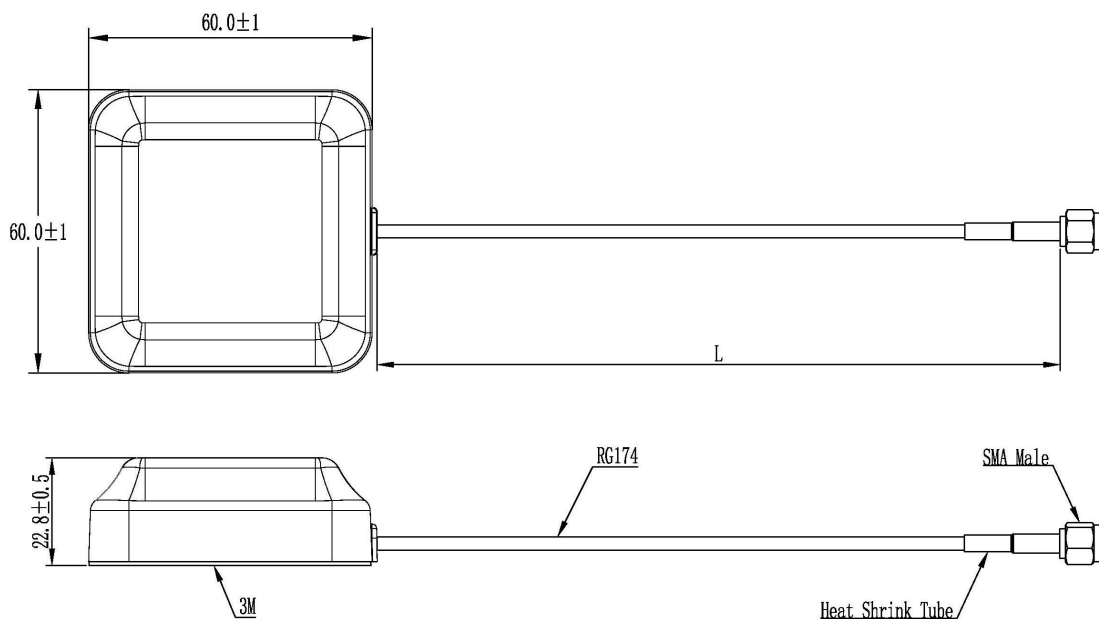


High Accuracy GNSS Active Antenna JCA231



DIMENSIONS



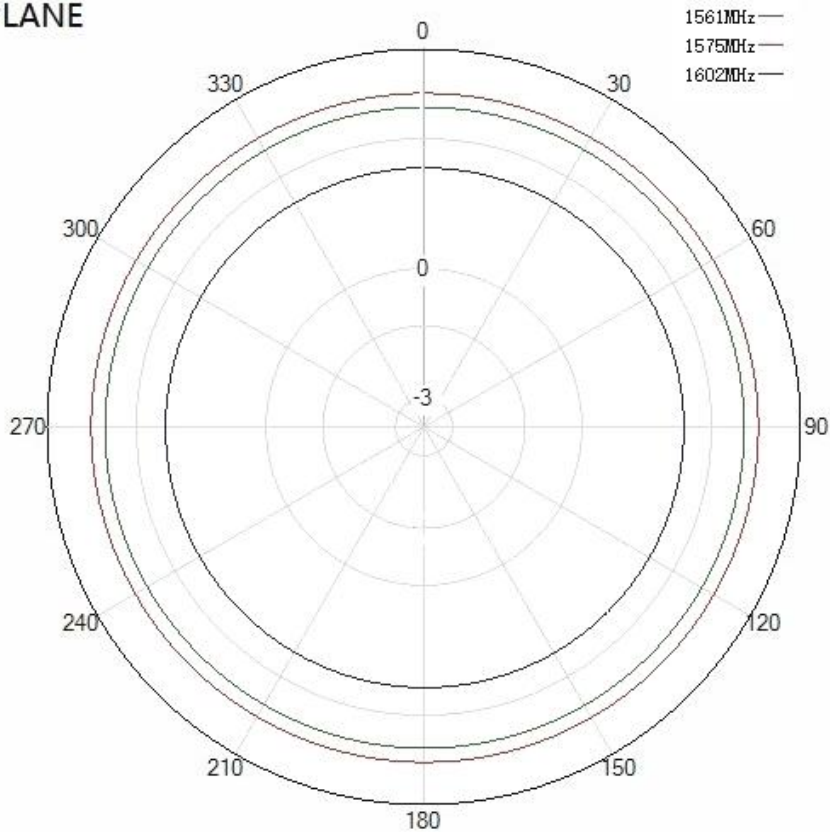
Unit: mm

SPECIFICATIONS

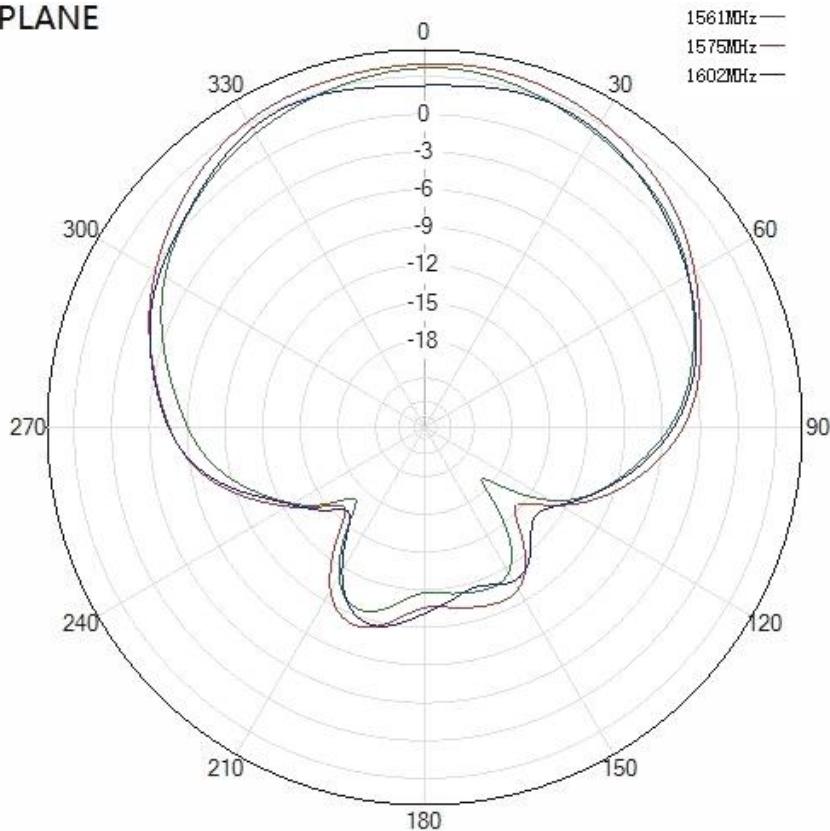
Item		Specifications
Antenna	Frequency	GPS L1/L2/L5 GLONASS G1/G2/G3 COMPASS B1/B2 Galileo E1/L1/E2/E5a/E5b
	Polarization	RHCP
	Axial Ratio	≤3dB(zenith)
	V.S.W.R	≤2.0
	Peak Gain	≥2dBic
	Impedance	50 Ω
	Horizontal coverage angle	360°
LNA	Gain	28 ± 2dB
	Noise Figure	≤1.5dB
	Passband fluctuation	±1.5dB
	Supply Voltage	3~12V DC
	Current Consumption	≤50mA
	V.S.W.R	≤2.0
Mechanical	Connector	SMA straight male
	Cable	RG174/3m
	Mounting Method	Magnet/Adhesive
Environmental	Operating Temperature	-40°C~+85°C
	Relative Humidity	Up to 95%
	Ingress Protection	IP66
	Vibration	10 to 55Hz with 1.5mm amplitude 2hours
	Environmentally Friendly	ROHS Compliant

Radiation Pattern

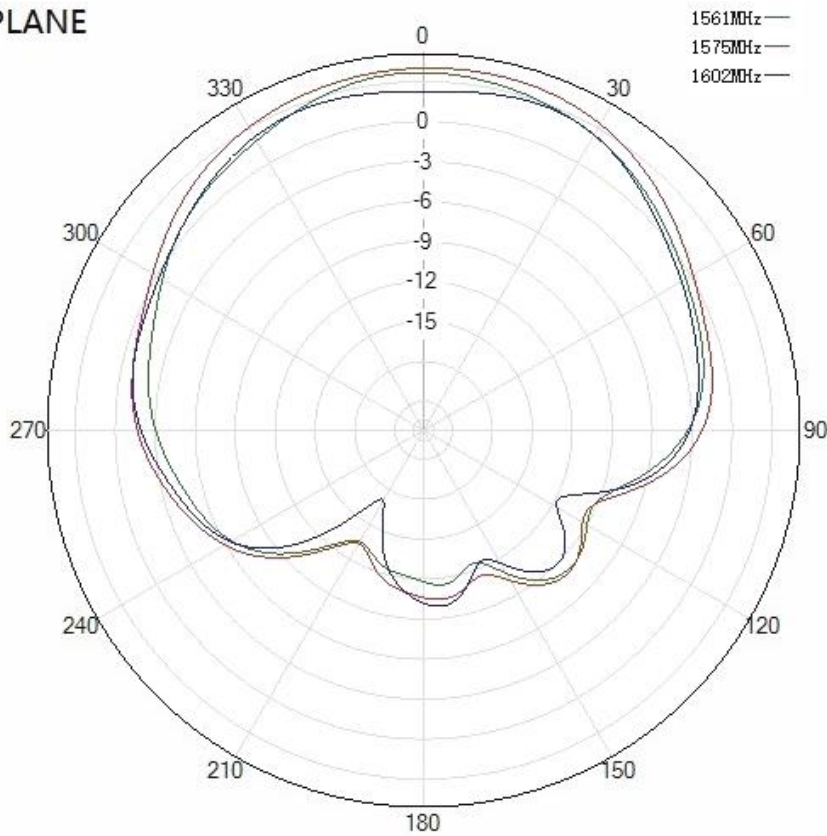
XY-PLANE



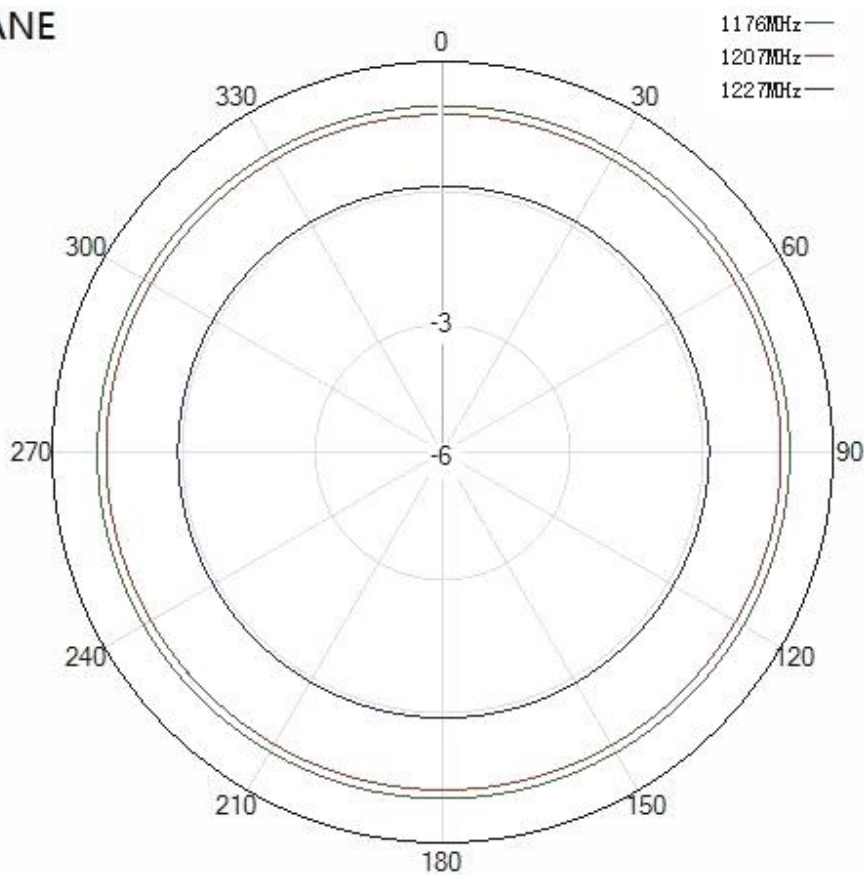
XZ-PLANE



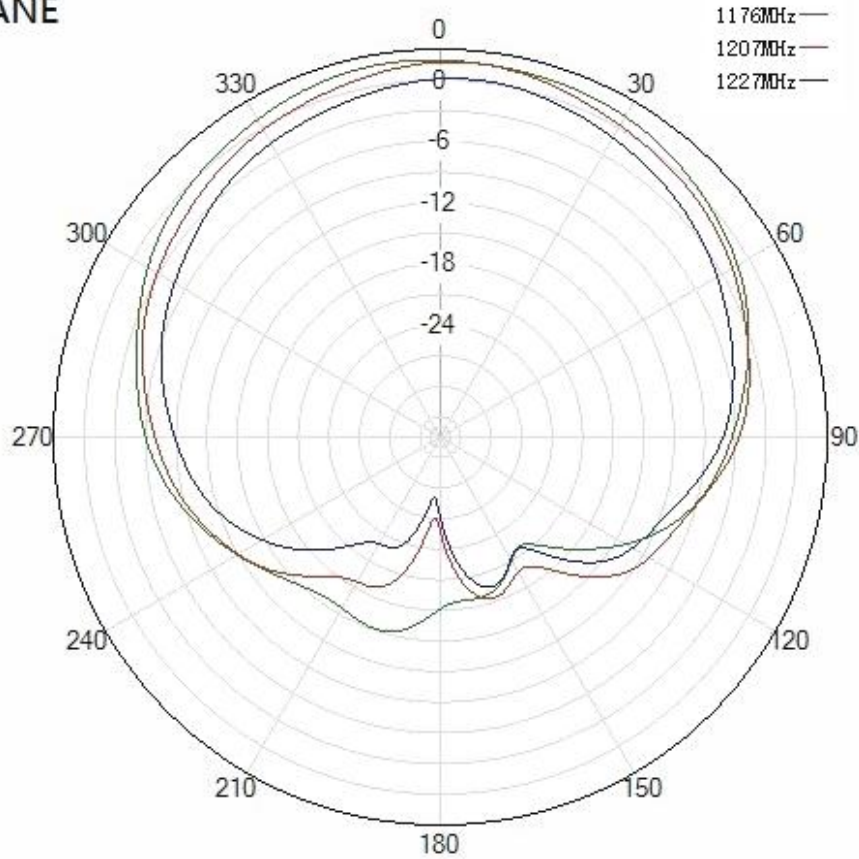
YZ-PLANE



XY-PLANE



XZ-PLANE



YZ-PLANE

