



Jinchang Electron Global Service

GNSS 3D Choke Ring Antenna **JCA229**



JIAXING JINCHANG ELECTRONIC TECHNOLOGY CO.,LTD

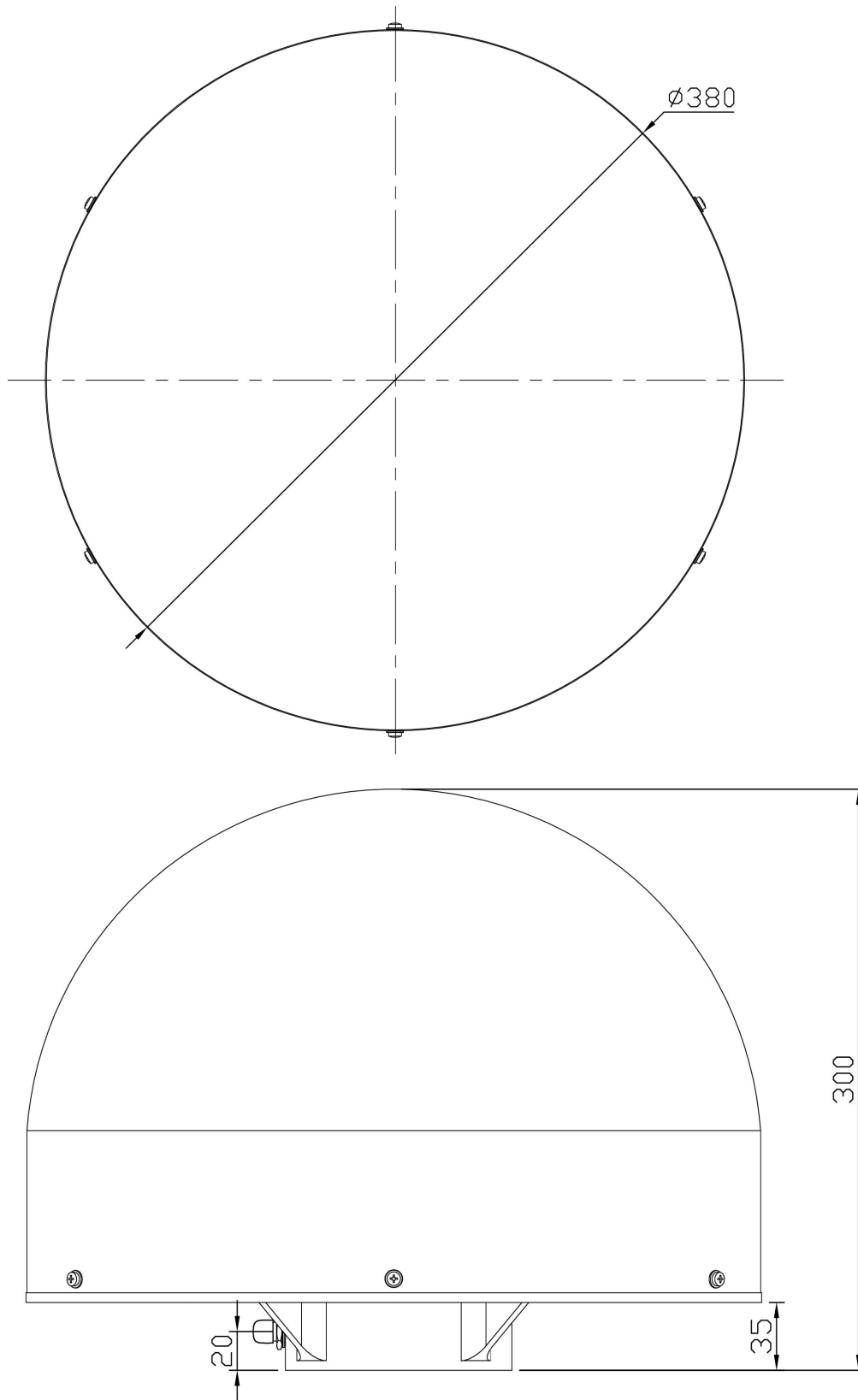
Add: 398#, Zhenye Road, South Street, Jiaxing, Zhejiang, China

Http:// www.jinchanggps.com

E-mail: jcgps@vip.163.com

Tel: 86-0573-83692157/83692605/83958637 Fax: 86-0573-83958635

DIMENSIONS



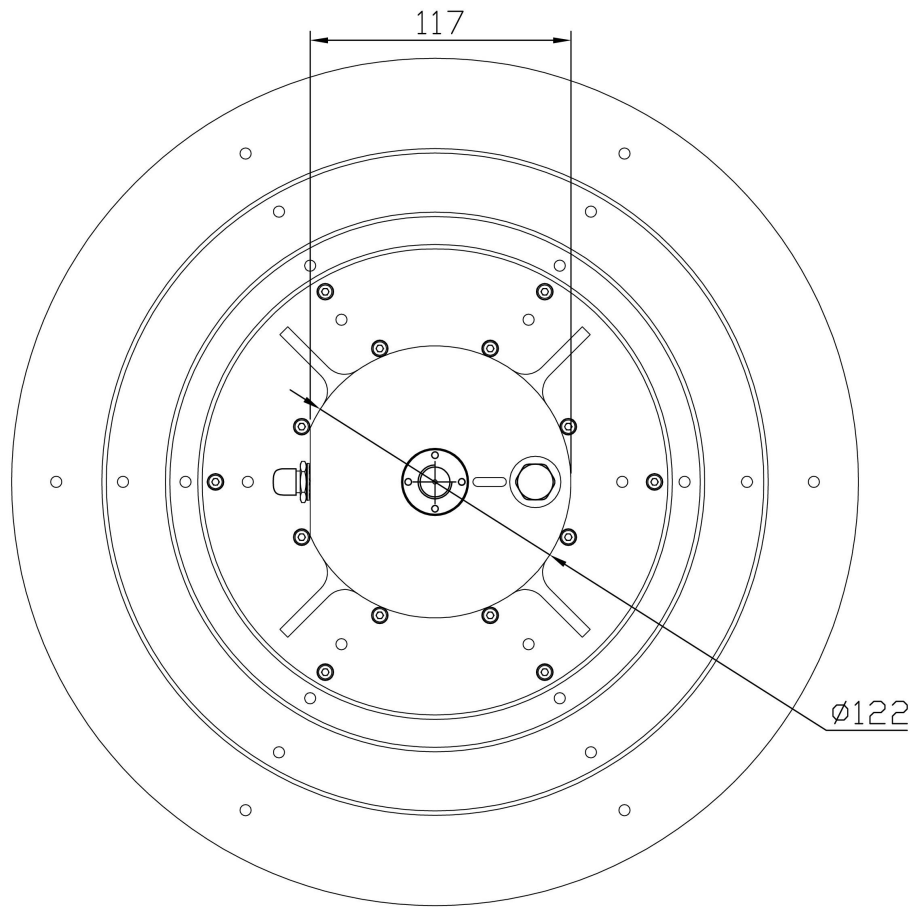
JIAXING JINCHANG ELECTRONIC TECHNOLOGY CO.,LTD

Add: 398#, Zhenye Road, South Street, Jiaxing, Zhejiang, China

Http:// www.jinchanggps.com

E-mail: jcgps@vip.163.com

Tel: 86-0573-83692157/83692605/83958637 Fax: 86-0573-83958635



SPECIFICATIONS

Item		Specifications
Antenna	Frequency	GPS L1/L2/L5 GLONASS G1/G2 COMPASS B1/B2/B3 Galileo E1/E2/E5a/E5b/E6
	Polarization	RHCP
	Axial Ratio	≤3dB
	V.S.W.R	≤2.0
	Peak Gain	≥7dBi
	Impedance	50 Ω
	Phase Center Error	±1mm
	Horizontal coverage angle	360°

JIAXING JINCHANG ELECTRONIC TECHNOLOGY CO.,LTD

Add: 398#, Zhenye Road, South Street, Jiaxing, Zhejiang, China

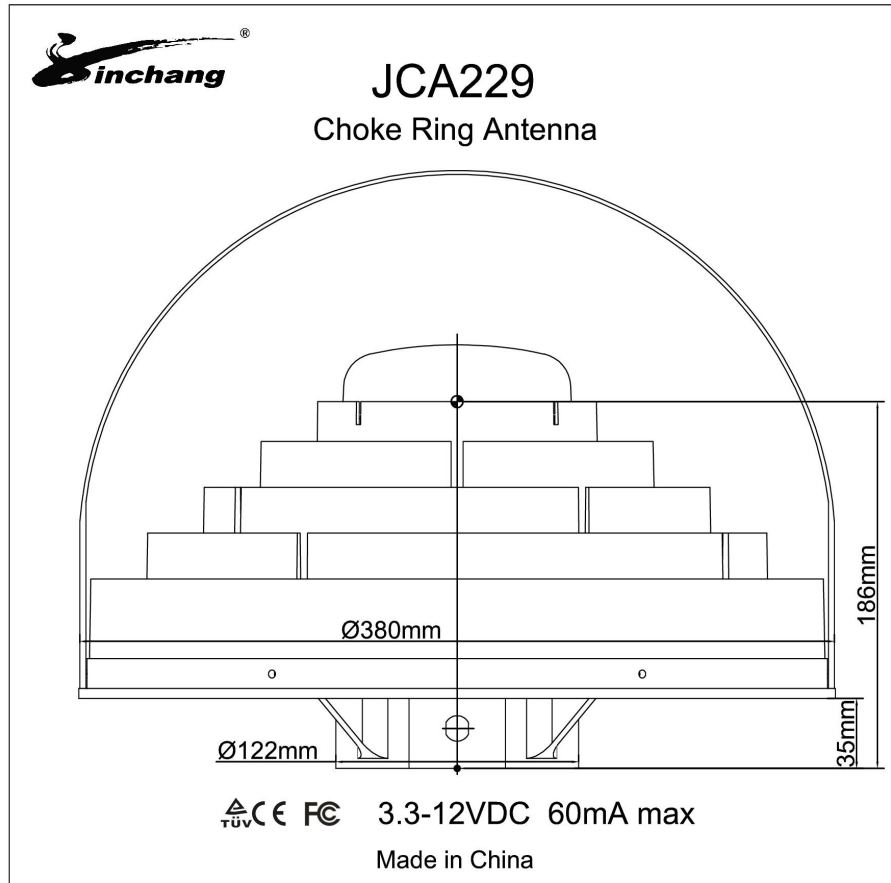
Http:// www.jinchanggps.com

E-mail: jcgps@vip.163.com

Tel: 86-0573-83692157/83692605/83958637 Fax: 86-0573-83958635

LNA	Gain	$40 \pm 2\text{dB}$
	Noise Figure	$\leq 2\text{dB}$
	Passband fluctuation	$\pm 2\text{dB}$
	Supply Voltage	3.3~12V DC
	Current Consumption	$\leq 45\text{mA}$
	V.S.W.R	≤ 2.0
Mechanical	Connector	TNC-K
	Dimension	$\Phi 380*300\text{mm}$
Environmental	Operating Temperature	$-40^{\circ}\text{C} \sim +85^{\circ}\text{C}$
	Storage temperature	$-55^{\circ}\text{C} \sim +85^{\circ}\text{C}$
	Relative Humidity	Up to 95% (Non condensing)

Antenna Reference Point&Phase Center



JIAXING JINCHANG ELECTRONIC TECHNOLOGY CO.,LTD

Add: 398#, Zhenye Road, South Street, Jiaxing, Zhejiang, China

Http:// www.jinchanggps.com

E-mail: jcgps@vip.163.com

Tel: 86-0573-83692157/83692605/83958637 Fax: 86-0573-83958635