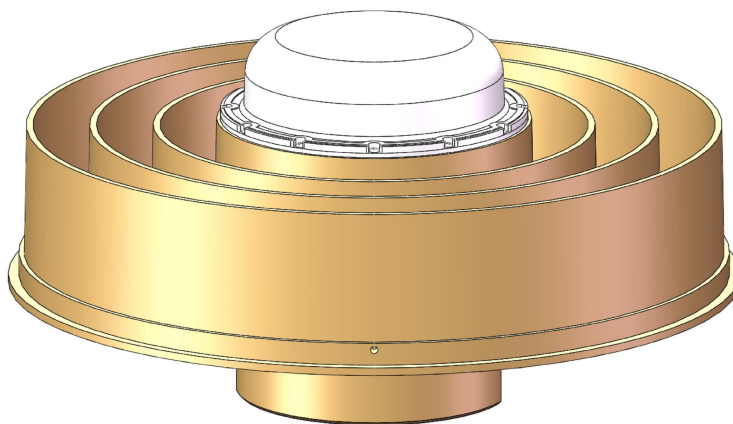
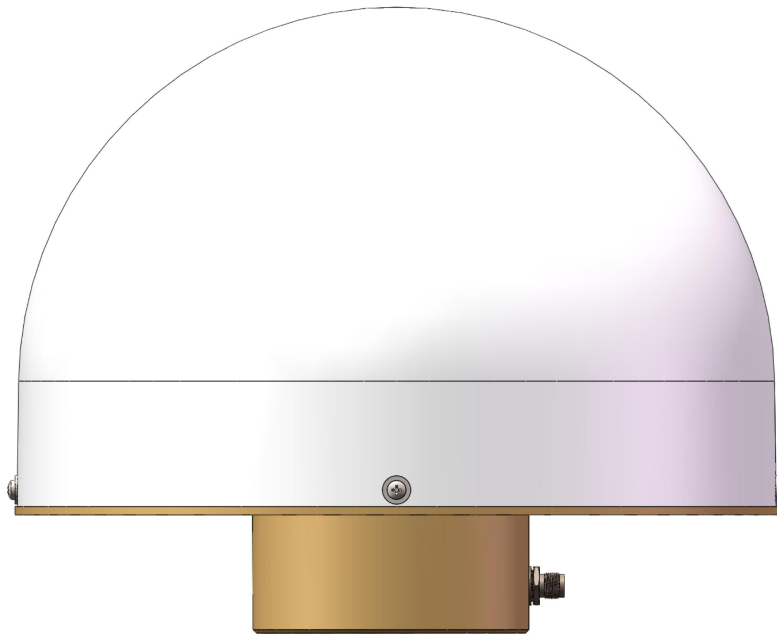




Jinchang Electron Global Service

GNSS Choke Ring Antenna **JCA219**



JIAXING JINCHANG ELECTRONIC TECHNOLOGY CO.,LTD

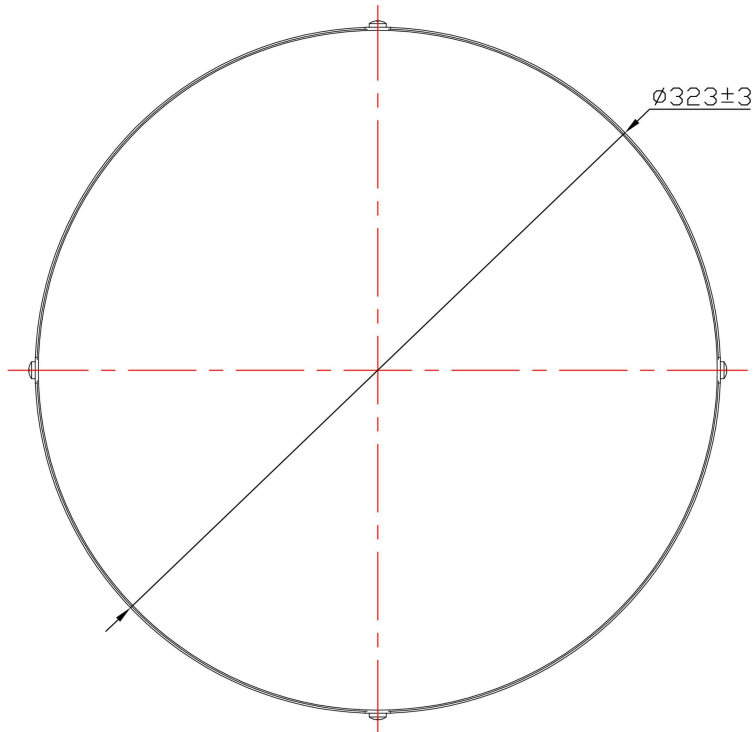
Add: 398#, Zhenye Road, South Street, Jiaxing, Zhejiang, China

Http:// www.jinchanggps.com

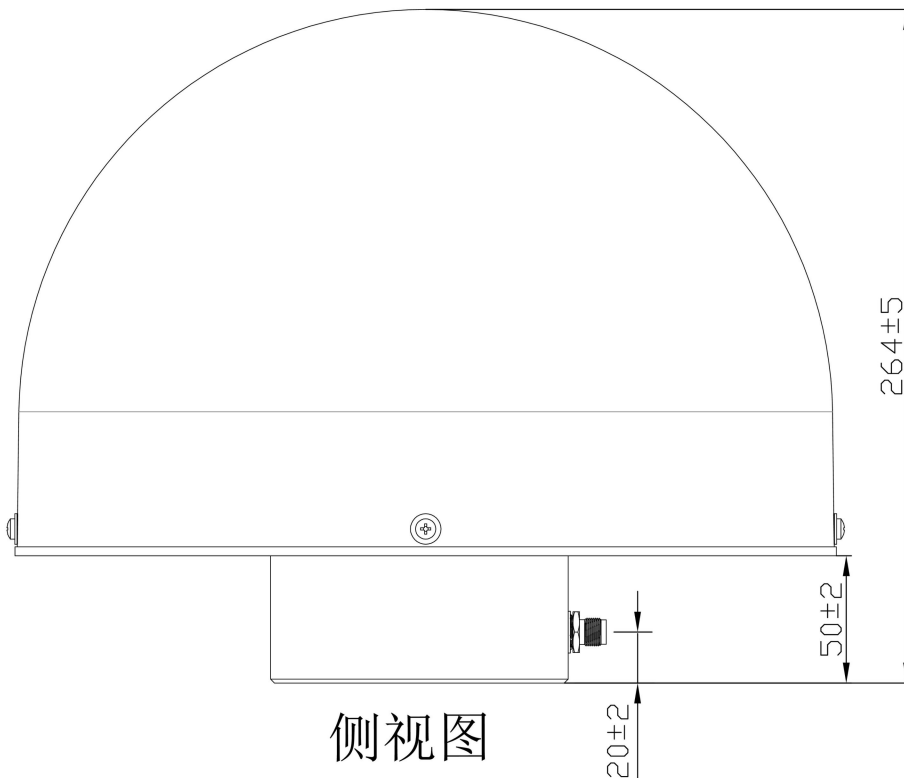
E-mail: jcgps@vip.163.com

Tel: 86-0573-83692157/83692605/83958637 Fax: 86-0573-83958635

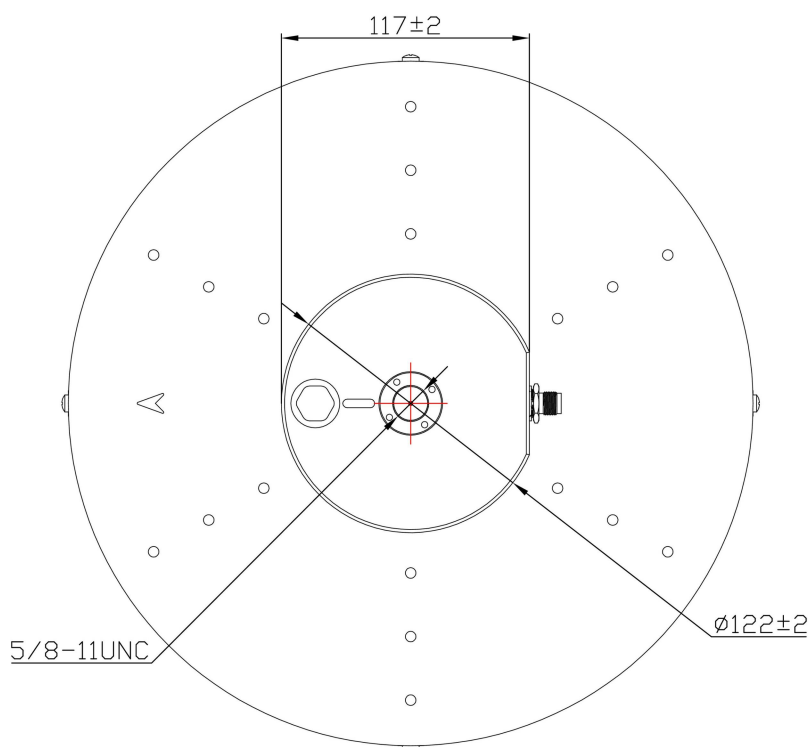
DIMENSIONS



顶视图



侧视图



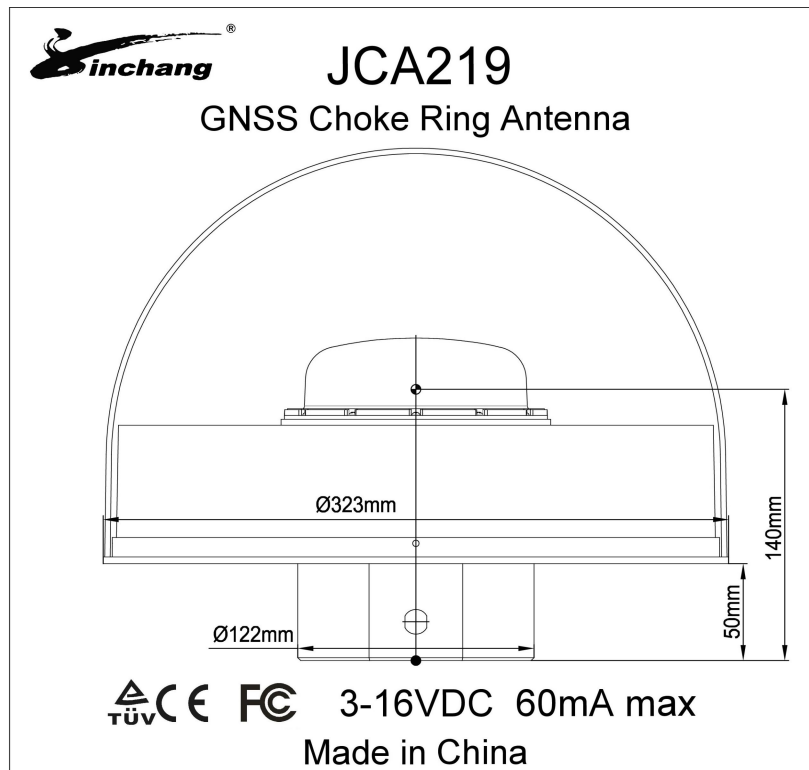
底视图

SPECIFICATIONS

Item		Specifications
Antenna	Frequency	GPS L1/L2/L5 GLONASS G1/G2/G3 COMPASS B1/B2/B3/B1C/B2a/B2b Galileo E1/E2/E5a/E5b/E6 L-Band IRNSS L1/L5
	Polarization	RHCP
	Axial Ratio	≤3dB
	V.S.W.R	≤2.0
	Peak Gain	≥7dBi
	Impedance	50 Ω
	Phase Center Error	± 1.5mm

	Horizontal coverage angle	360°
LNA	Gain	45 ± 2dB
	Noise Figure	≤ 2dB
	Passband fluctuation	± 1.5dB
	Supply Voltage	3~16V DC
	Current Consumption	≤ 60mA
	P1dB	≥ 0dBm
	V.S.W.R	≤ 2.0
Mechanical	Connector	TNC-K
	Dimension	Φ 323*264mm
Environmental	Operating Temperature	-40°C ~ +85°C
	Storage temperature	-55°C ~ +85°C
	Relative Humidity	Up to 95% (Non condensing)

Antenna Reference Point & Phase Center



JIAXING JINCHANG ELECTRONIC TECHNOLOGY CO.,LTD

Add: 398#, Zhenye Road, South Street, Jiaxing, Zhejiang, China

Http:// www.jinchanggps.com

E-mail: jcgps@vip.163.com

Tel: 86-0573-83692157/83692605/83958637 Fax: 86-0573-83958635