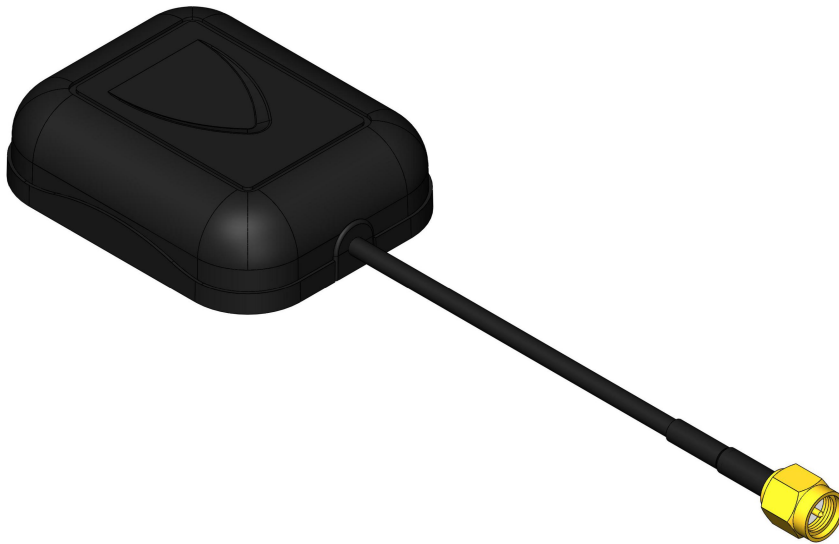
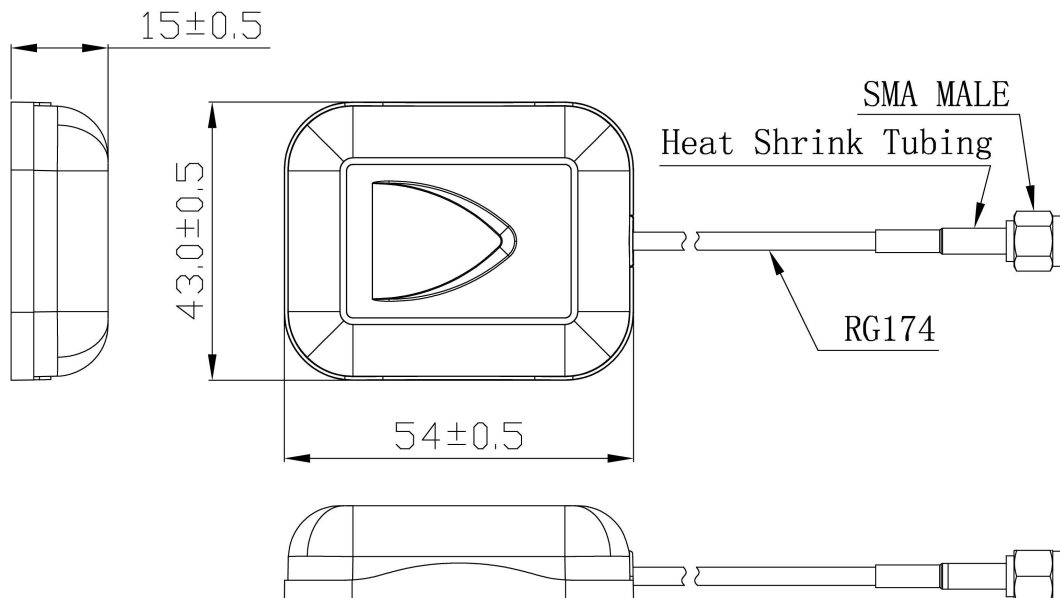


# GPS&COMPASS Active Antenna JCA209



## DIMENSIONS



Unit: mm

**SPECIFICATIONS**

Item	Specifications	
Antenna	Frequency Range	1561.098-1575.42MHz
	Band Width	$\geq 18\text{MHz}$
	Polarization	RHCP
	Gain	3dBic
	V.S.W.R	$< 1.5$
	Impedance	50 $\Omega$
	Dimension	35*35*4mm
LNA	Gain	40 $\pm$ 2dB
	Noise Figure	$< 1.5\text{dB}$
	Supply Voltage	2.2~5V DC
	Current Consumption	$< 15\text{mA}$
	V.S.W.R	$< 2.0$
Mechanical	Cable	RG174
	Connector	SMA/MCX/FAKRA or others
	Radome Material	ABS
	Mounting Method	Magnet/Adhesive
Environmental	Operating Temperature	-40 $^{\circ}\text{C}$ ~+85 $^{\circ}\text{C}$
	Relative Humidity	Up to 95%
	Ingress Protection	IP66
	Vibration	10 to 55Hz with 1.5mm amplitude 2hours
	Environmentally Friendly	ROHS Compliant

**Radiation Pattern**

