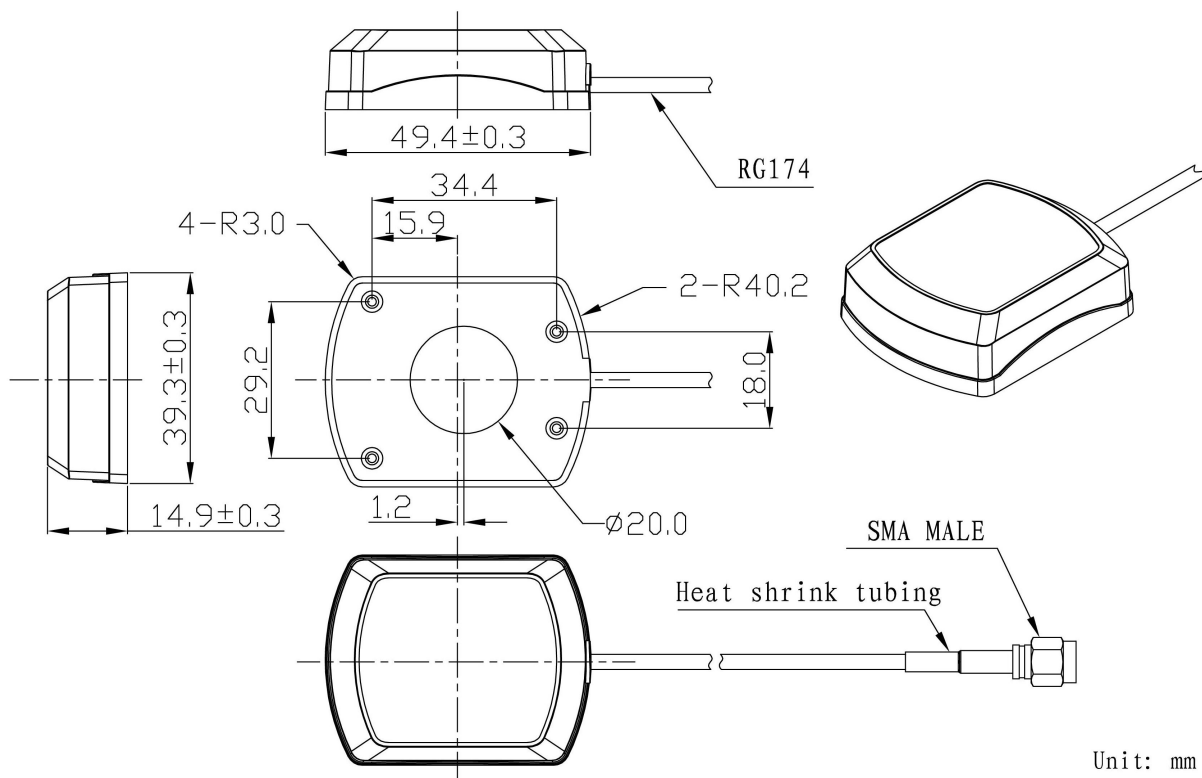


## GPS Active Antenna

# JCA204



### DIMENSIONS



Unit: mm

JIAXING JINCHANG ELECTRONIC TECHNOLOGY CO.,LTD

Add: 398#, Zhenye Road, South Street, Jiaxing, Zhejiang, China

Http:// [www.jinchanggps.com](http://www.jinchanggps.com)

E-mail: [jcgps@vip.163.com](mailto:jcgps@vip.163.com)

Tel: 86-0573-83692157/83692605/83958637 Fax: 86-0573-83958635

**SPECIFICATIONS**

| Item          | Specifications           |  |
|---------------|--------------------------|--|
| Antenna       | Center Frequency         | 1575.42±3MHz                           |
|               | Band Width               | CF±5MHz                                |
|               | Polarization             | RHCP                                   |
|               | Gain                     | 2dBic (Zenith)                         |
|               | V.S.W.R                  | <1.5                                   |
|               | Impedance                | 50 Ω                                   |
|               | Axial Ratio              | 3dB (max)                              |
|               | Dimension                | 25*25*4mm                              |
| LNA           | Gain                     | 28±2dB                                 |
|               | Noise Figure             | <1.5dB                                 |
|               | Supply Voltage           | 2.2~5V DC                              |
|               | Current Consumption      | 16~32mA                                |
|               | V.S.W.R                  | <2.0                                   |
| Mechanical    | Cable                    | RG174                                  |
|               | Connector                | SMA/MCX/FAKRA or others                |
|               | Radome Material          | ABS                                    |
|               | Mounting Method          | Magnet/Adhesive                        |
| Environmental | Operating Temperature    | -40℃~+85℃                              |
|               | Relative Humidity        | Up to 95%                              |
|               | Ingress Protection       | IP65~IP66                              |
|               | Vibration                | 10 to 55Hz with 1.5mm amplitude 2hours |
|               | Environmentally Friendly | ROHS Compliant                         |

**Radiation Pattern**

