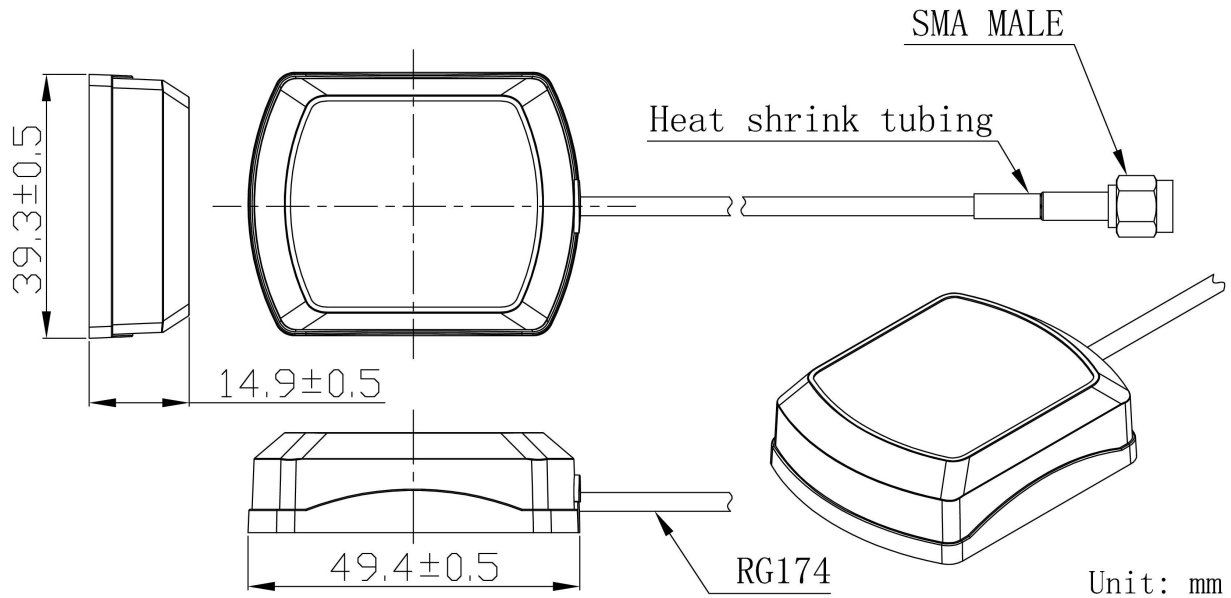


GPS Active Antenna

0



DIMENSIONS



SPECIFICATIONS

Item	Specifications	
Antenna	Center Frequency	1575.42 ± 3MHz
	Band Width	CF ± 5MHz
	Polarization	RHCP
	Gain	2dBic (Zenith)
	V.S.W.R	< 1.5
	Impedance	50 Ω
	Axial Ratio	3dB (max)
	Dimension	25*25*4mm
LNA	Gain	28 ± 2dB
	Noise Figure	< 1.5dB
	Supply Voltage	2.2~5V DC
	Current Consumption	< 15mA

JIAXING JINCHANG ELECTRONIC TECHNOLOGY CO.,LTD

Add: 398#, Zhenye Road, South Street, Jiaxing, Zhejiang, China

Http://www.jinchanggps.com

E-mail:jcgps@vip.163.com

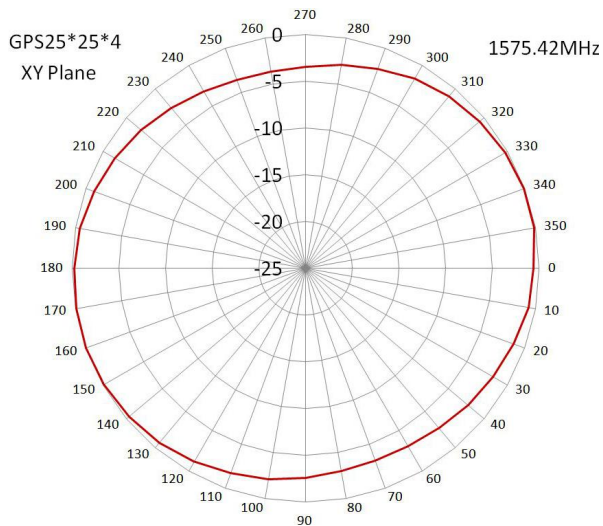
Tel: 86-0573-83692157/83692605/83958637 Fax:86-0573-83958635



Jinchang Electron Global Service

	V.S.W.R	<2.0
Mechanical	Cable	RG174
	Connector	SMA/MCX/FAKRA or others
	Radome Material	ABS
	Mounting Method	Magnet/Adhesive
Environmental	Operating Temperature	-40°C~+85°C
	Relative Humidity	Up to 95%
	Ingress Protection	IP66
	Vibration	10 to 55Hz with 1.5mm amplitude 2hours
	Environmentally Friendly	ROHS Compliant

Radiation Pattern



JIAXING JINCHANG ELECTRONIC TECHNOLOGY CO.,LTD
 Add: 398#, Zhenye Road, South Street, Jiaxing, Zhejiang, China
 Http://www.jinchanggps.com E-mail:jcgps@vip.163.com
 Tel: 86-0573-83692157/83692605/83958637 Fax:86-0573-83958635



Jinchang Electron Global Service

