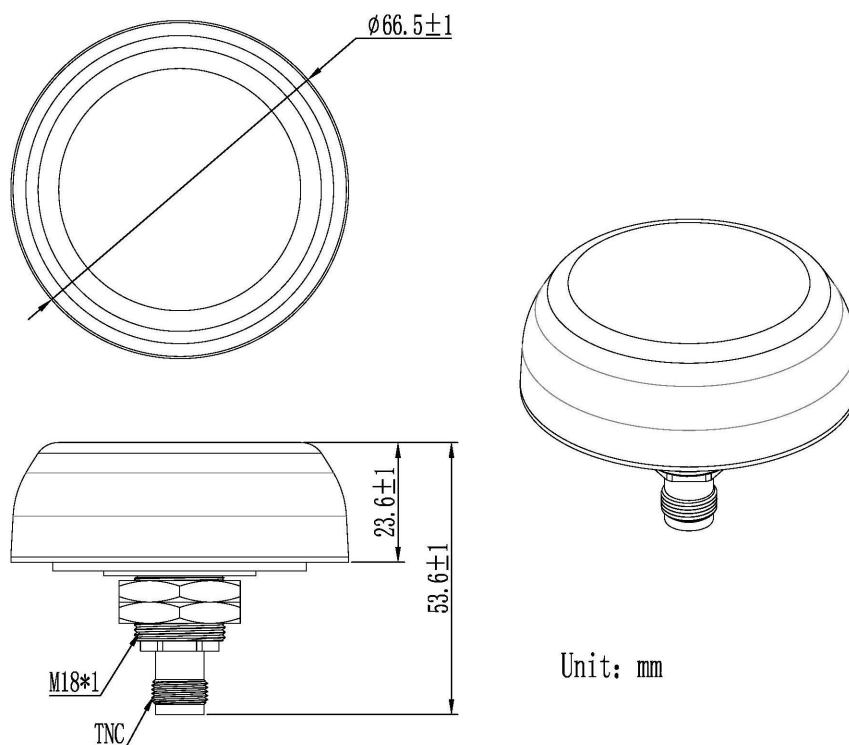


# GNSS Active Antenna JCA215S



## DIMENSIONS



**JIAXING JINCHANG ELECTRONIC TECHNOLOGY CO.,LTD**

Add: 398#, Zhenye Road, Nanhu District, Jiaxing, Zhejiang, China

Http:// [www.jinchanggps.com](http://www.jinchanggps.com)

E-mail: [jcgps@vip.163.com](mailto:jcgps@vip.163.com)

Tel: 86-0573-83692157/83692605/83958637 Fax: 86-0573-83958635

**SPECIFICATIONS**

Item		Specifications
Antenna	Frequency Range	1535~1616MHz 1176~1278.75MHz
	Polarization	RHCP
	Axial Ratio	≤3dB
	V.S.W.R	≤2.0
	Peak Gain	≥3dBi
	Impedance	50 Ω
	Horizontal Coverage Angle	360°
	Vertical Coverage Angle	5° ~90°
LNA	Gain	B1/L1/G1/E1/E2/L-Band: 40±2dB L5/B2/L2/G2/B3/E5b/E6: 42±2dB
	Noise Figure	≤1.5dB
	Passband Fluctuation	±1.5dB
	Supply Voltage	3.3~12V DC
	Current Consumption	≤50mA
	V.S.W.R	≤2.0
Mechanical	Connector	TNC-K
	Dimension	Φ66.5mm
	Weight	≈150g
Environmental	Operating Temperature	-40℃~+85℃
	Storage temperature	-40℃~+85℃
	Relative Humidity	Up to 95% (Non condensing)
	Ingress Protection	IP67